



DESKLIFT™ DL12
Data sheet

DESKLIFT™ DL12

The DESKLINE® DL12 column sets the standards for inline columns. It is a compact 3-part inline column, which is a perfect choice for a wide range of desk applications. The DL12 is pleasing to the eye with invisible gliding pads and minimum spacing between the column profiles, which provides a streamlined silhouette. The compact, rectangular column was developed to fulfil the market requirements for a low built-in dimension and, at the same time, a long stroke length. Furthermore, the column is designed for desks without crossbar, ensuring more leg space and more design possibilities.

As standard, the DL12 features PIEZO™, an integrated collision protection sensor. The PIEZO minimises the risk for damages on a desk caused by collision.

The DL12 system is controlled by a DESKLINE® control box (CBD). The control box ensures optimal parallel drive and a pleasantly low noise level. The DL12 can be used as a single column or in 2, 3 or 4 parallel systems. The DL12 is also available in an extended version called DL12XL; a column optimised for display and monitor stands.



Features:

- Compact design where guide and actuator functions are an integrated unit
- Cable mounted on the DL12 for connection to the CBD with a separate DESKLINE motor cable
- Max. load: 700 N per column
- Max. speed: 38 mm/s unloaded
- Standard installation dimension: 518 mm or 545 mm
- Standard stroke length: 660 mm
- Column dimensions: 60 x 100 mm (outer profile), 54.8 x 94.8 mm (middle profile) and 49.6 x 89.6 mm (inner profile)
- Bending moment: $M_y = \max. 150 \text{ Nm dynamic}$
- Colour: all parts black (RAL9005), all parts grey (RAL9006) or all parts white (RAL9016)
- Low noise level
- PIEZO™: Integrated sensor minimising the risk for damages on a desk by avoiding collision
- PVC-Free™ column for an environmental-friendlier product
- Invisible gliding pads for optimised design
- Minimum spacing between the profiles for optimised design
- Synchronous drive of the middle profile

Options:

- Customised colours

- Motor housing adapter (black) pre-mounted or as a separate unit
- Extended XL-version dedicated for flat screens
 - Installation dimension: 700 mm
 - Stroke length: 999 mm
 - Load: max 600 N
 - Bending moment: max 100 Nm dynamic
 - Colours: black (RAL9005), grey (RAL9006) and white (RAL9016)
 - Duty cycle: 5%

Usage:

- Typical applications:
 - Office desks
 - TV lifts
- Single or 2, 3, 4 parallel drive
- Multi-parallel is possible only when in combination with CBD6S
- Duty cycle: 10 % ~ 2 minutes of continuous use at full load, followed by 18 minutes of pause
- Ambient temperature: 10 to 40 °C
- Compatible with DESKLINE® control boxes and all DESKLINE® controls
- Approved in accordance with EN 60335-1
- Approved in accordance with UL 962 with CBD6S
- Storage and transport temperature: -10 to +50 °C

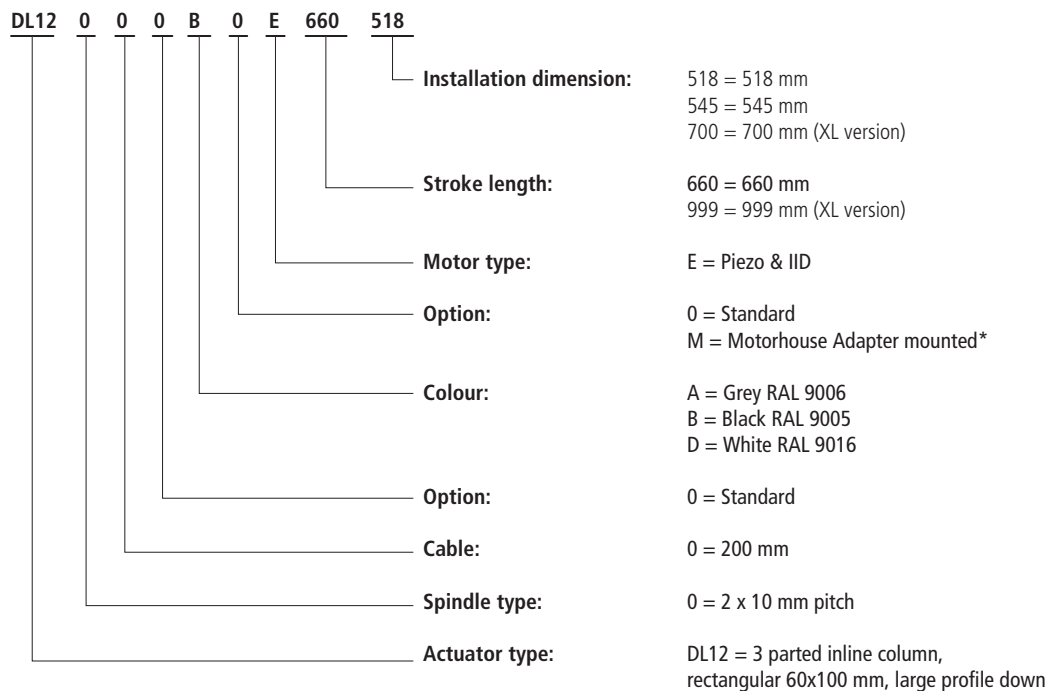
Technical specifications:

Type	Max thrust per DL (N)	Self-lock per DL (N)	Speed at 0 load (mm/s)	Duty cycle (%)	Spindle pitch (mm)	Stroke length (mm)	Built-in length (mm)
DL12	700	700	38	10	20	660	518/545
DL12XL	600	600	38	5	20	999	700

The measurements above are made in connection with the control box CBD6S.

DL12

Ordering example:



* = Not available for XL version



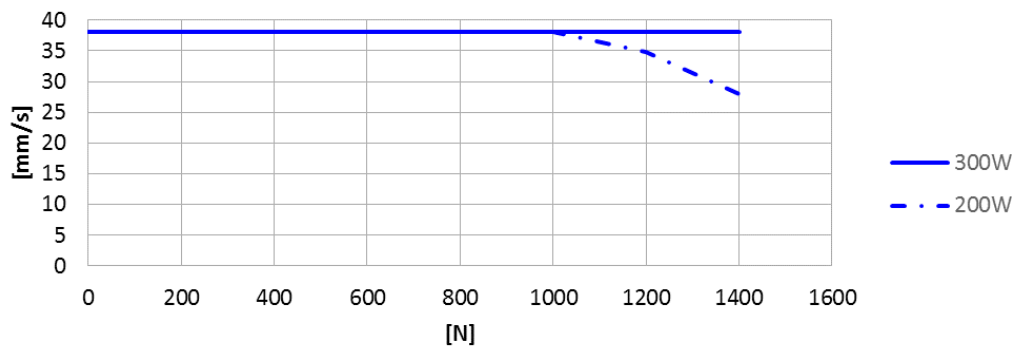
The motor housing adapter can also be ordered as a separate part, article number: HOUSINGDL12-001. The motor housing adapter is available in black only. When the motor housing adapter is mounted, it increases the installation dimension by 42 mm.



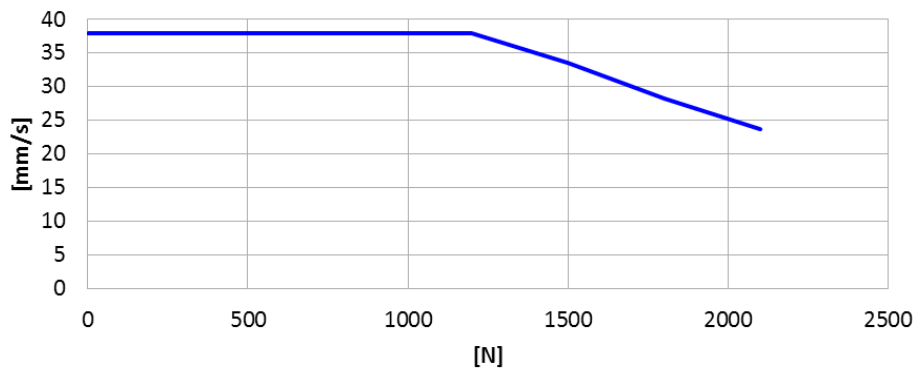
All cables for creating a fully connected DESKLINE system must be ordered separately. We offer a range of different versions and lengths. For more information as ordering number, colour and length of the cables, please contact your local LINAK.

Curves DL12 700N (20 mm spindle) with CBD6S

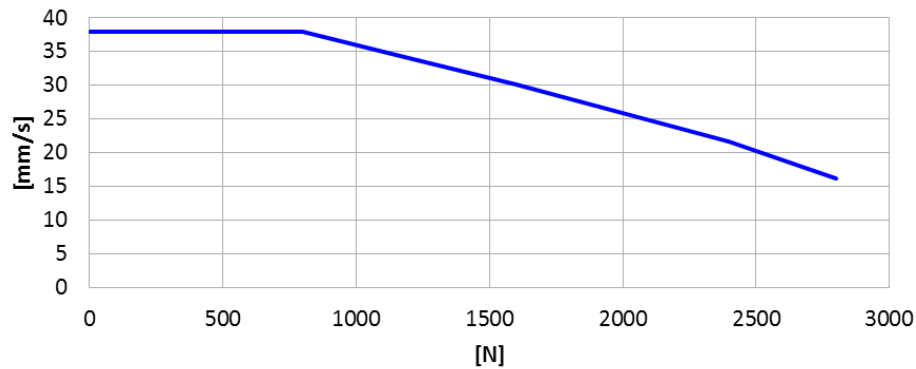
2 x DL12 (equally loaded) with CBD6S



3 x DL12 (equally loaded) with CBD6S (300W)



4 x DL12 (equally loaded) with CBD6S (300W)



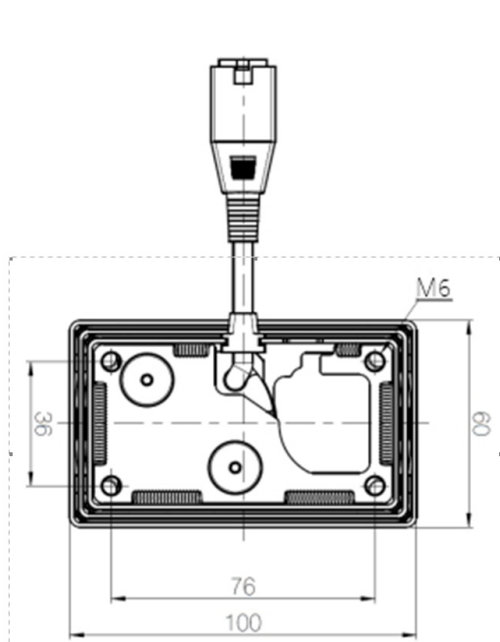
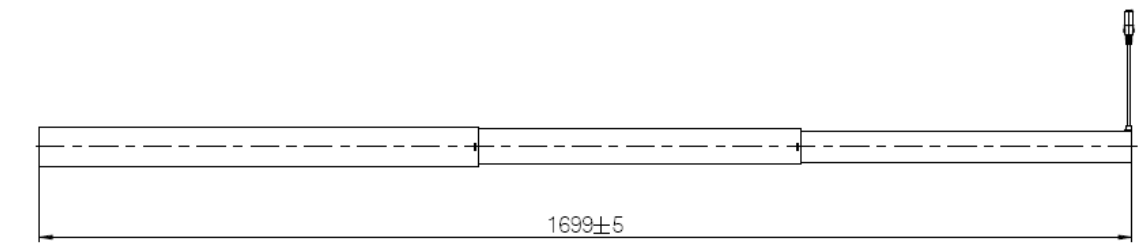
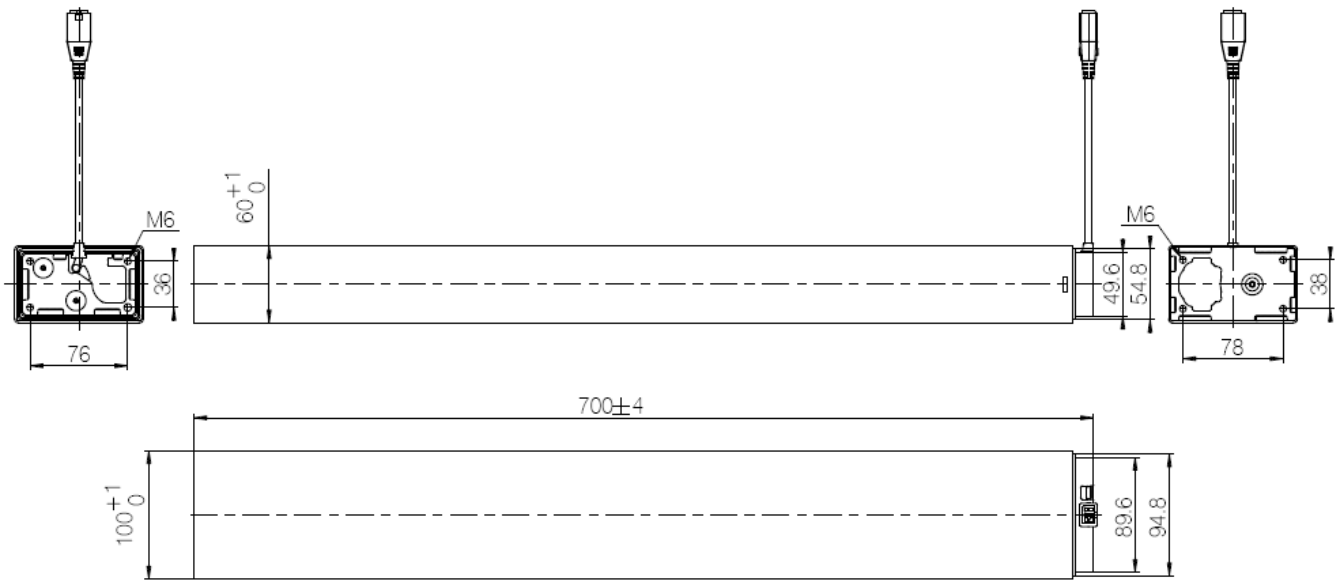
The performance curves apply to a centrally placed load. With off-center placed load, there will be an increased friction in the columns reducing the lifting force correspondingly.



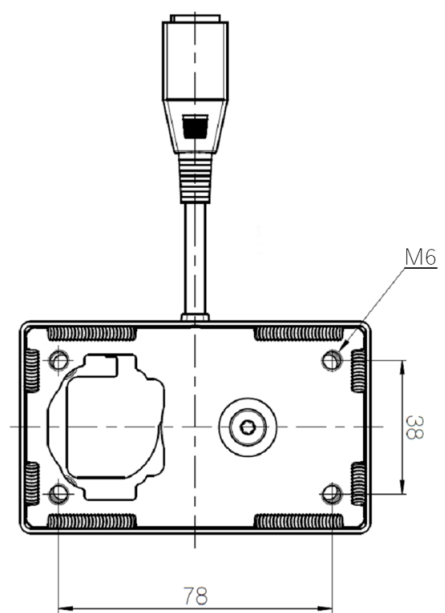
The DL12 DESKLINE system may only be used in push applications.

Dimensions

DL12XL (extended version)



Column top dimensions (mm)



Bottom plate dimensions (mm)

Dimensions

DL12 with motor housing



Terms of use

The user is responsible for determining the suitability of LINAK products for specific application. LINAK takes great care in providing accurate and up-to-date information on its products.

However, due to continuous development in order to improve its products, LINAK products are subject to frequent modifications and changes without prior notice. Therefore, LINAK cannot guarantee the correct and actual status of said information on its products.

While LINAK uses its best efforts to fulfill orders, LINAK cannot, for the same reasons as mentioned above, guarantee the availability of any particular product. Therefore, LINAK reserves the right to discontinue the sale of any product displayed on its website or listed in its catalogues or other written material drawn up by LINAK.

All sales are subject to the Standard Terms of Sale and Delivery for LINAK. For a copy hereof, please contact LINAK.